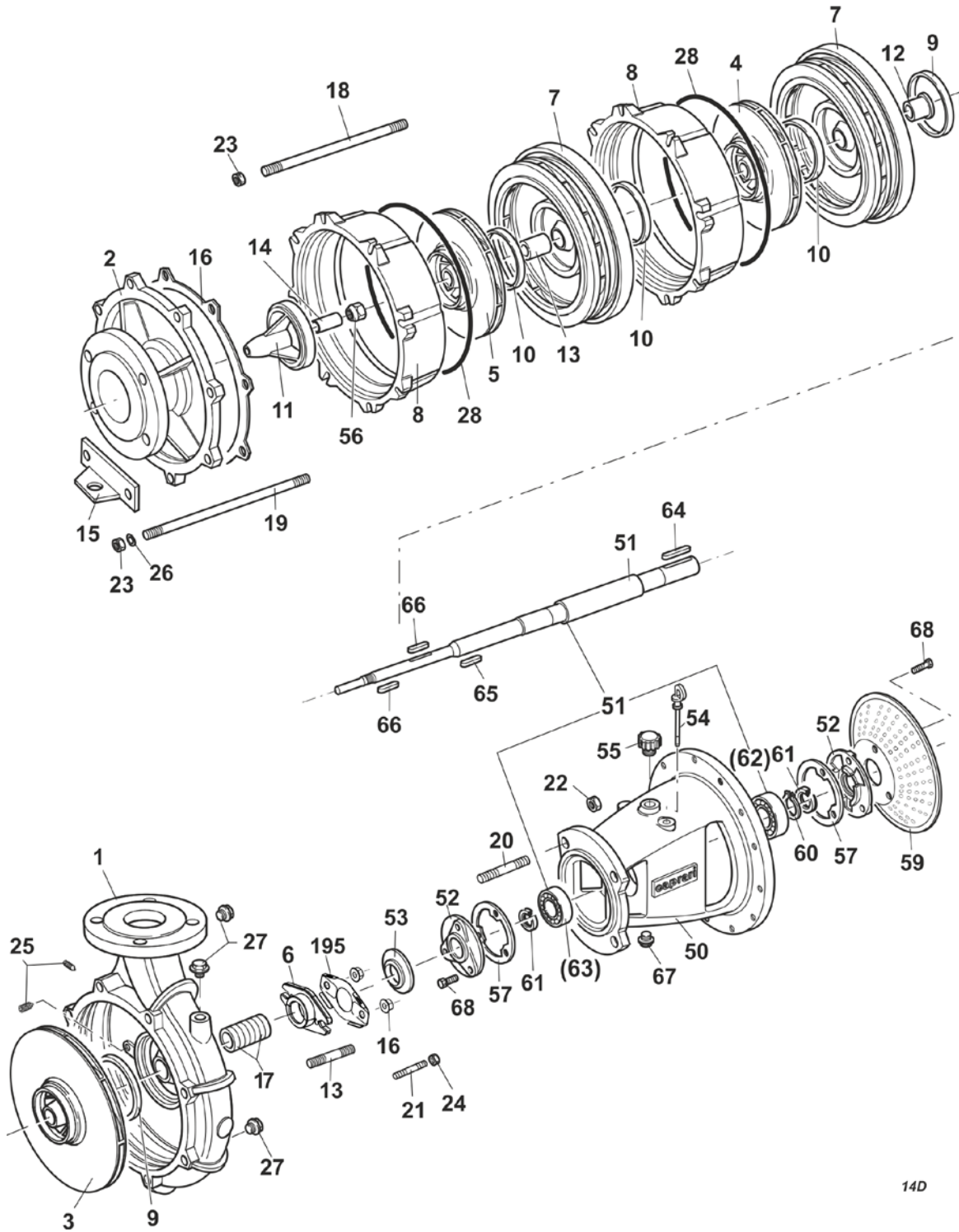


# CAPRARI S.p.A

41123 MODENA (ITALY) - VIA EMILIA OVEST, 900  
Tel. +39 059897611 - Fax +39 059 897897  
email: info@caprari.it - www.caprari.com



## 781070 - MEC-MG80-4/3A HORIZONTAL PUMP



## COMPONENTS LIST

Pos.	Serial N°	Description	Qty
1	MEC80/330-1	DELIVERY CASING	1 PZ
2	MEC80/330-3	SUCTION COVER	1 PZ
3	MEC80MG-4/330-5A	IMPELLER D.334	1 PZ
4	MEC80MG-4/260-5A	IMPELLER D.264	1 PZ
5	MEC80MG-4/260-5A	IMPELLER D.264	1 PZ
6	P51-8	STUFFING BOX	2 PZ
7	MECM80-73	DIFFUSER	2 PZ
8	MECM80-74	STAGE CASING	2 PZ
9	MEC80/200-165A	WEAR RING	2 PZ
10	MEC80/200-165A	WEAR RING	3 PZ
11	MEC80/260-1029	WEAR RING WITH BEARING BUSH	1 PZ
14	MEC80/260-13	BEARING BUSH	1 PZ
12	MECM80-10	SPACER SLEEVE	1 PZ
13	MECM80-10	SPACER SLEEVE	1 PZ
15	MECM80-207	STAND FEET	1 PZ
16	MEC125/330-141	GASKET FOR SUCTION COVER	2 PZ
17	MEC80/260/B-33	PACKING 8X8 TIPO:GF7700	7 PZ
18	PS01099	SPECIAL STUD M14X220 (TO DRAW)	8 PZ
19	PS01100	SPECIAL STUD M14X230 (TO DRAW)	2 PZ
20	PN0722	STUD M16(6G/6G)X35 UNI5909/DIN938-5.8	4 PZ
21	PN02007	STUD M10(6G/6G)X50 UNI5909/DIN938	2 PZ
22	DN0724	NUT M16 UNI5588/DIN934-6S	4 PZ
23	DN0734	NUT M14 UNI5588/DIN934-6S	10 PZ
24	DN0037495	NUT M10 UNI EN20898/2/DIN6923-A2	2 PZ
25	GC0735	DOWEL M10X12 UNI5923/DIN913-12.9	2 PZ
26	RLS0250	WASHER 15X31X3	2 PZ
27	TF01304	PLUG 3/8"GAS CONICAL (AFL N.290/292)	3 PZ
28	OR01000	OR SEAL 329,79X3,53 OR41300 (AP)	2 PZ
195	P51/1-240	PTO SHAFT GUARD	2 PZ
50	MECMG80-32	LANTERN BRACKET	1 PZ
51	MEC80MG-B/3-1007	PUMP SHAFT + CSN L.707	1 PZ
60	AE0350	CIRCLIP 35 UNI7435 FOR SHAFT	1 PZ
62	CSN0943	BEARING 3307/C3	1 PZ
63	CSN02222	BEARING NJ307E	1 PZ
52	MEC3A-9	BEARING COVER	2 PZ
53	MEC80/260-18	DEFLECTOR	1 PZ
54	MECMG-26	OIL DIPSTICK L=178	1 PZ
55	MEC1A-28	OIL FILTER PLUG	1 PZ
56	DS02310	NON-STANDARD NUT M24X2X21 UNI7474 (TO DRAW)	1 PZ
57	MEC3A-146	GASKET FOR FLANGE	2 PZ
59	MECMG80/100-240	PTO SHAFT GUARD	1 PZ
61	AT01785	SEAL RING 35X52X7	2 PZ
64	LCH02549	FEATHER KEY A10X8X70 UNI6604-C50 (TO DRAW)	1 PZ
65	LCH02550	FEATHER KEY A8X7X35 (TOL.UNI6604)-C50 (TO DRAW)	1 PZ

66	LCH02550	FEATHER KEY A8X7X35 (TOL.UNI6604)-C50 (TO DRAW)	2 PZ
67	TF01304	PLUG 3/8"GAS CONICAL (AFL N.290/292)	1 PZ
68	VTE0116	SCREW M8X20 UNI5739/DIN933-8.8	6 PZ
71	VTT02591	SCREW M6X10 UNI5931/DIN912-8.8	2 PZ